

Protean-HT Radio Remote Control for Hoist & Trolley

Features:

- 2 speed pushbuttons with distinct position feedback
- Large Mushroom E-Stop switch
- Removable magnetic key (waterproof)
- Operating range of 330ft
- Available in either AC or DC

Transmitter Specifications:

- Dimensions: 6.5 x 2 x 2.2 (H x W x D)
- (4) Button transmitter (up/down/east/west)
- Uses 2 Alkaline AA Batteries
- Shock Resistant design



Receiver Specifications:

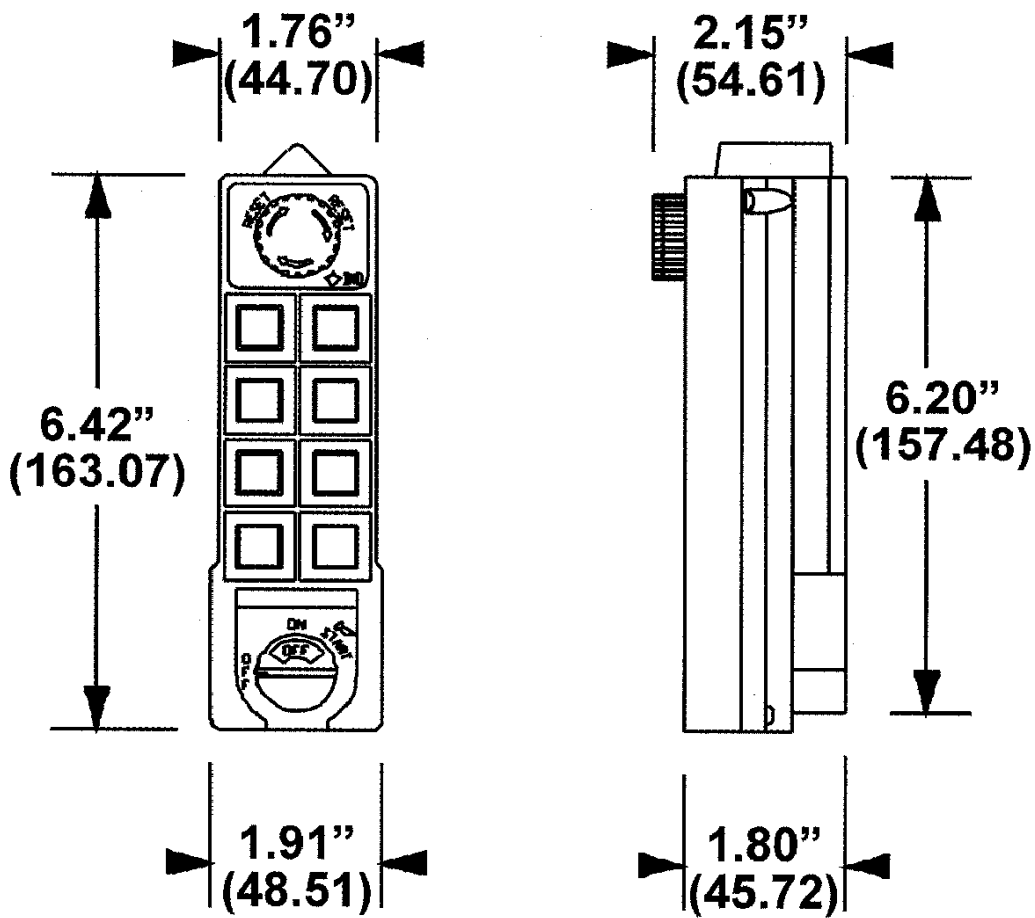
- Dimensions: 6.5 x 3 x 2 (H x W x D)
- IP65 rated (NEMA 4)
- Pre-wired with 6 ft (1.83M) cable
- Power Options: 48/110/220 VAC
12~24VDC
- Relay Ratings: 10A @ 250VAC
8A @ 30VDC
- Shock Resistant Enclosure, equipped with (4) mounting bolts with shock absorbers

Ordering information:

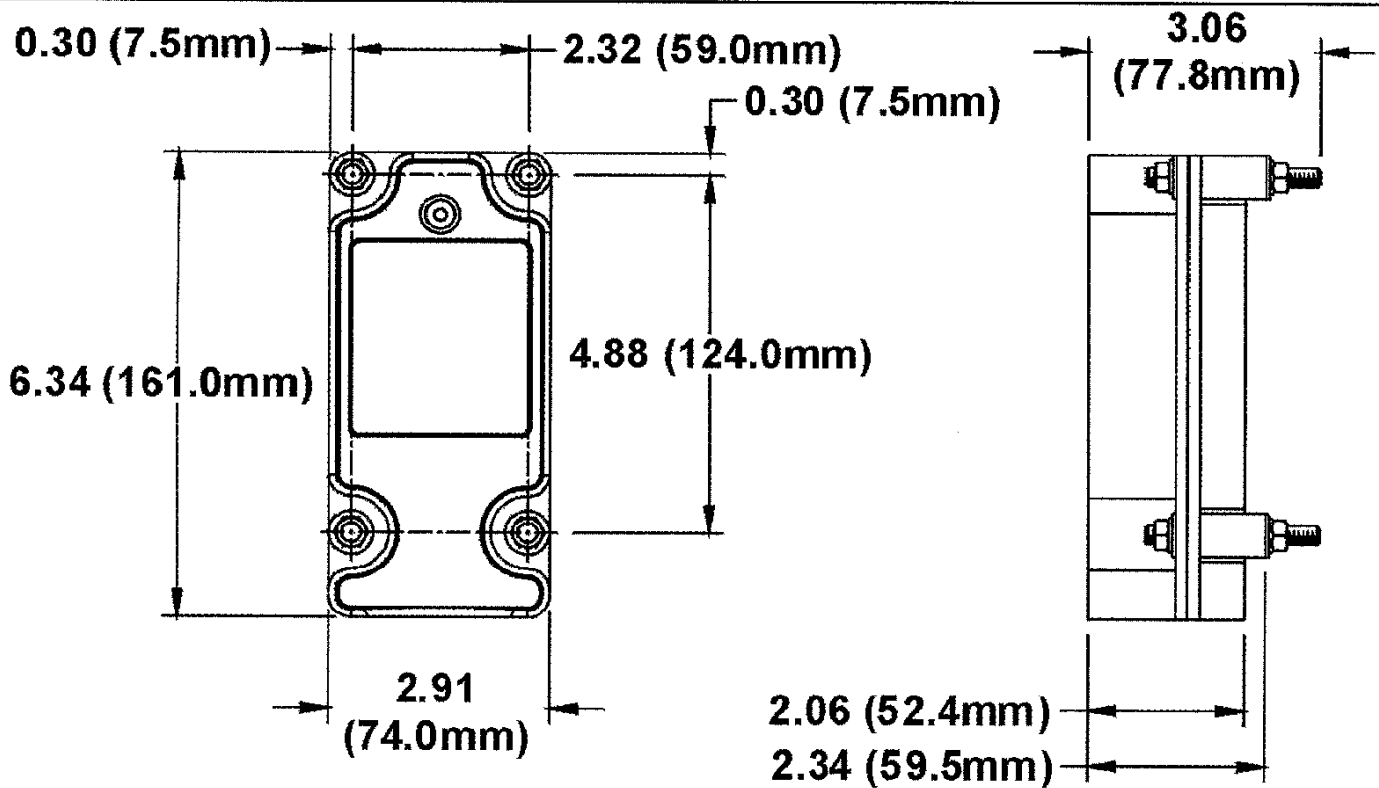
Description	Part Number	List Price
Radio Kit with (1) transmitter, AC	700PRO6HT	\$755.00
Radio Kit with (2) transmitters, AC	700PRO6DHT	\$995.00
Radio Kit with (1) transmitter, DC	700PRO6HT-DC	\$755.00
Radio Kit with (2) transmitters, DC	700PRO6DHT-DC	\$995.00



10102 F Street
Omaha, NE 68127
Tel: 402-339-9300
Fax: 402-339-9627
www.insul-8.com



Transmitter



Receiver